

DC Rapid Shutdown Switch

2 string / 3 string / 4 string / 5 string / 10 string

Leading Manufacturer Protects Solar Power Safety



ERS-2/4 Series



Product Benefits



- Max shut down one or two strings modules
- Maximum circuit current 55A
- Maximum circuit voltage 1500vdc
- CE certificated
- PC + ABS material, IP66 protection grade
- Multi clock interface type optional (knockout hole / gland / MC4 terminal)
- The Isolation switches are TUV.CE.CB.SAA certificated
- Waterproof Vent valve to avoid condensation inside the shell
- Advanced temperature sensor is used to detect the highest temperature in the shell in real time temperature, when the internal temperature exceeds 70 degrees, automatic cut-off switch
- It is suitable for residential, industrial and commercial photovoltaic systems

Product naming				
E	RS	□	-	□
1	2	3	4	5

Code	Name	Description
1	ASwich brand	E
2	Rapid Shut-down Switch	RS
3	Rated Current	13:13A 20:20A 25:25A 40:40A 50:50A
4	Pole	2: 2P / 4: 4P / 4B
5	Wiring	Mc4: MC4 terminal / Blank

DC RAPID SHUTDOWN SWITCH

ERS-2/4 Series

■ Main parameter

Standard	Data
Main parameter	ERS
String voltage (VDC)	300~1500
String current (A)	9~55
Circuit	1/2
Connection mode of Isolation switch	2/4/4B
Working voltage	100Vac - 270Vac
Rated voltage	230Vac
Rated current	30mA
Starting (loading) current	100mA(AVG)
Action current	300mA(Max)
Contact action condition	24Vdc -300mA(Max)
Operating temperature	-20°C - +50°C
Maximum temperature before automatic shutdown	+70°C
Storage temperature	-40°C - +85°C
Protection level	IP66
Over current protection	II
Authentication	CE
The DC isolation switch meets the standard	EN 60947-1&3
Mechanical life	10000
Number of loaded operations (PV1)	>1500

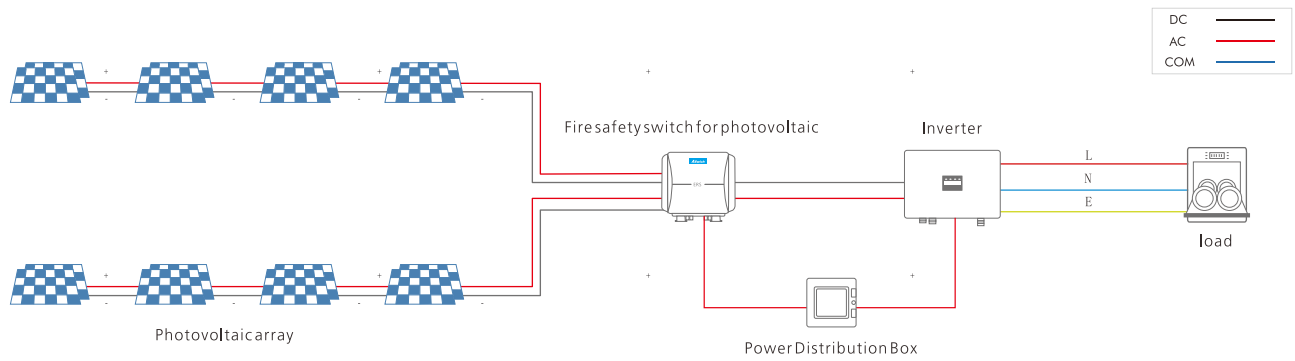
■ Technical data

Data of ERS refer to built-in DC isolators. Data according to IEC60947-3(ed.3.2):2015,UL508i.Utilization category DC-PV1.					Pole number	Circuit	Model
600V	800V	1000V	1200V	1500V			
32	26	13	10	5	2	1	ERS13-2
40	30	20	12	6	2	1	ERS20-2
55	40	25	15	8	2	1	ERS25-2
/	50	40	30	20	2	1	ERS40-2
/	55	50	40	30	2	1	ERS50-2
32	26	13	10	5	4	2	ERS13-4
40	30	20	12	6	4	2	ERS20-4
55	40	25	15	8	4	2	ERS25-4
/	50	40	30	20	4	2	ERS40-4
/	55	50	40	30	4	2	ERS50-4
32	26	13	10	5	4	1	ERS13-4B
40	40	40	30	20	4	1	ERS20-4B
/	/	55	40	30	4	1	ERS25-4B
/	/	/	/	45	4	1	ERS40-4B
/	/	/	/	50	4	1	ERS50-4B

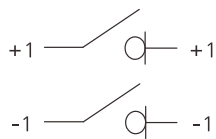
According to EN60947-3, AS/NZS 60947-3

ERS-2/4 Series

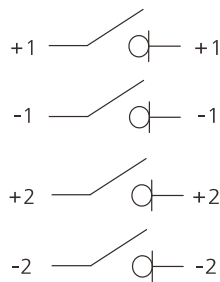
■ Sketch Map



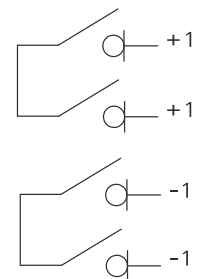
■ Wiring diagram



2



4

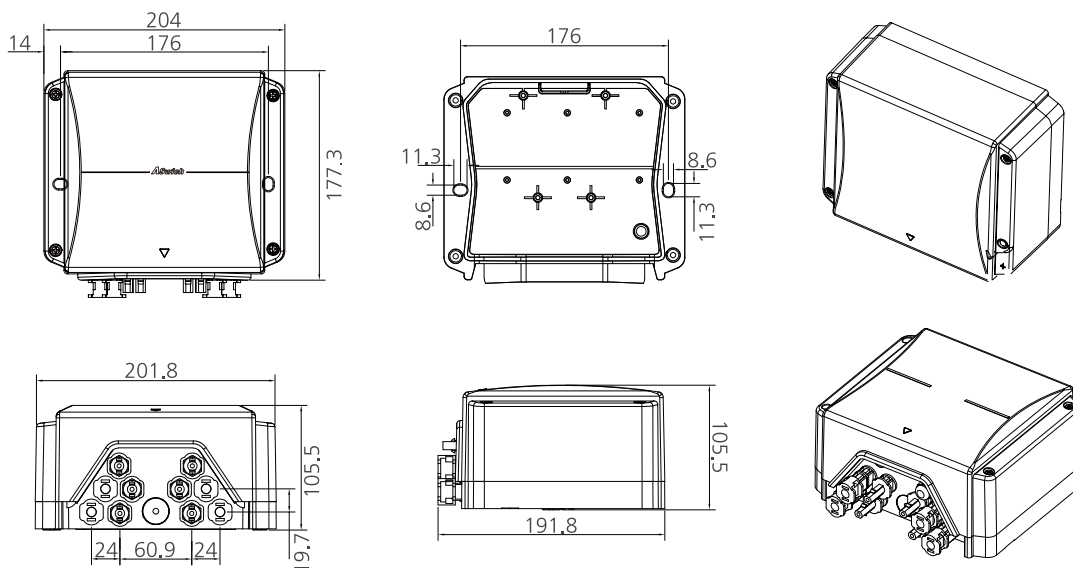


4B

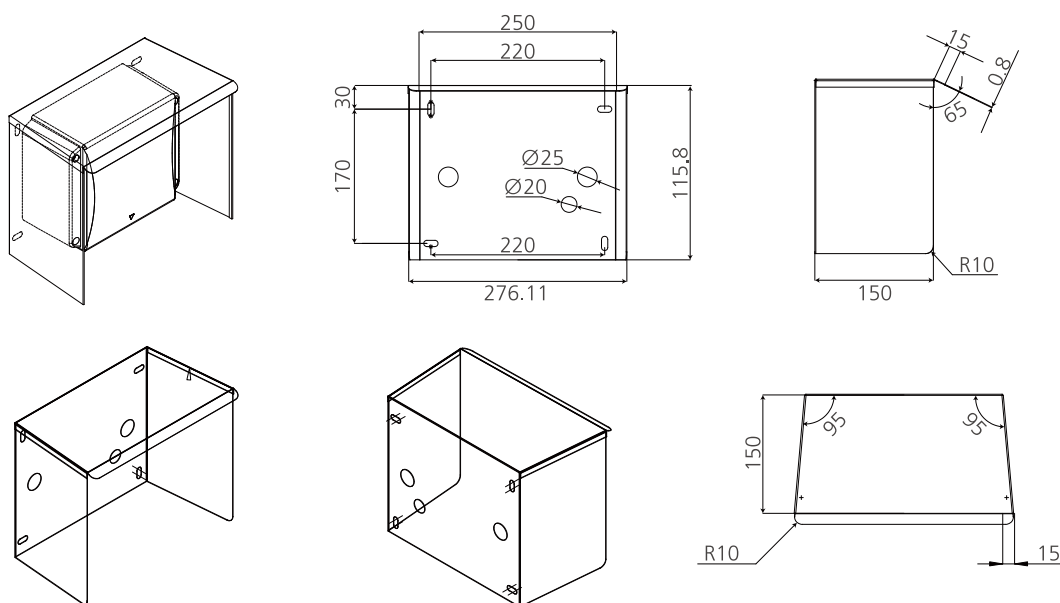
DC RAPID SHUTDOWN SWITCH

ERS-2/4 Series

■ Product size



■ Package size



Note: the fire safety switch cannot be installed in the place with direct sunlight, and the sun visor is recommended.