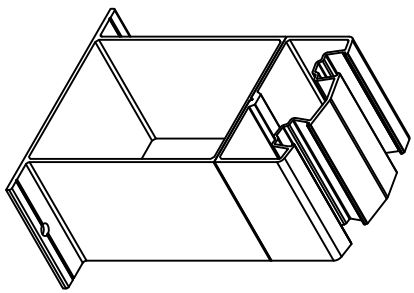
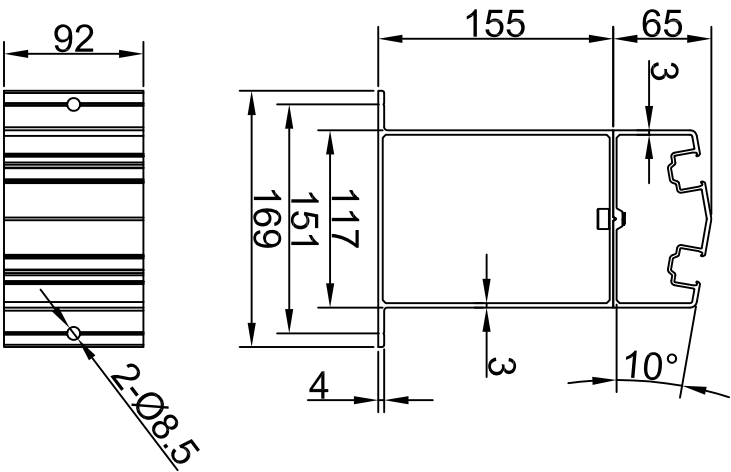




1	2	3	4	5	6
			Mark	Modify The Content	Date
			Sign		



Technical Requirement:
 1. The surface is anodized, and the film thickness is $\geq 10\mu\text{m}$.
 2. Hardness requirements: HW12 ~ 16.
 3. Round off sharp edges, deburring.
 4. Un-tolerance according to (GB / T 1804-2000) tolerance class m (medium grade).

Title	ERK-BIP-10	Part No.		Version	V1.0
Mould number	--	Material		Finish	
Design	Chk'D		Appv'D		
 Xiamen Enerack Technology Co., Ltd.					
View					
Scale	1:1				
Unit	mm				

Size	0.5~6	>6~30	>30~120	>120~400
Tolerance	±0.1	±0.2	±0.3	±0.5

F