

SOLAR KIT™
INNOVATIVE SYSTEMS PV DISTRIBUTOR by



PRODUCT CATALOG

SOLAR MOUNTING SOLUTIONS



ISO 9001: 2015 quality management system certified



CONTENT

Disclaimer :

We make every effort to ensure that all the information contained within our catalogue is complete and accurate. Due to continuous product optimization we reserve the right to make any changes or corrections to our products and this catalogue as well as individual product information at any time without prior notice. All previous catalogues and individual product information become invalid upon the release of the later publications.

ABOUT US

Global Roofing

Global Service & Proven Records

Certificate

Rail & Accessories

Metal Roof Attachment

Tile Roof Attachment

Tilt Mounting

Ballasted-PRO Mounting

Ballasted-ULT Mounting

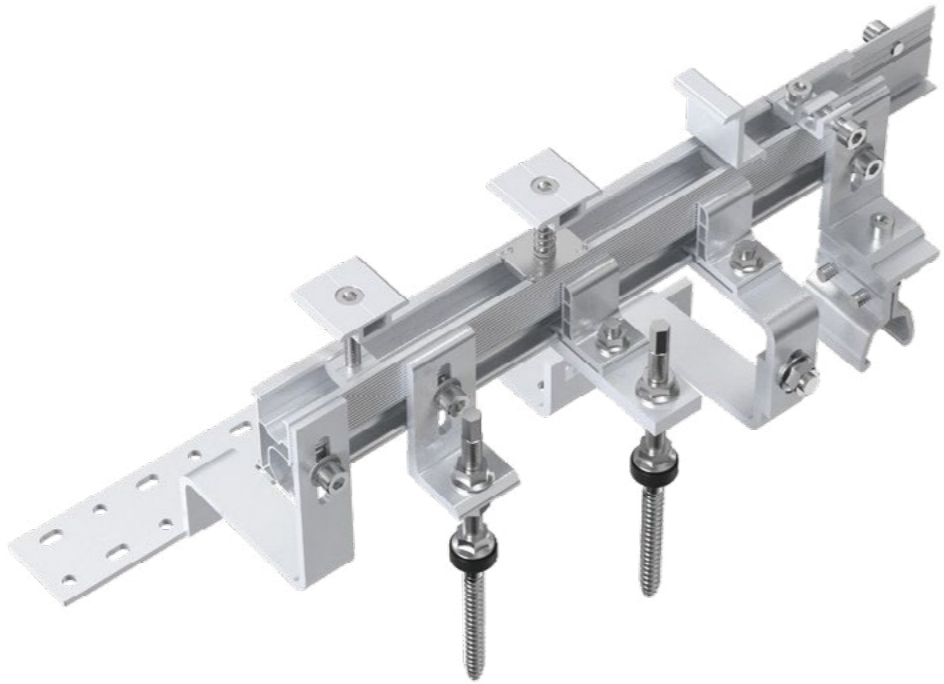
Ground Mounting

Carport Mounting

Waterproof Carport System

RAIL & ACCESSORIES

According to different markets, different customer requirements, as well as the project budget, we design and produce various types of rails and accessories to meet the customer's projects need. Each product is subjected to rigorous strength calculation, SGS testing, TUV, CE, and AS/NZS1170.2 certifications.



Item No. ERK-TEC
 Description Thin Film Double-glazed Module End Clamp Kit



Item No. ERK-TIC
 Description Thin Film Double-glazed Module Inner Clamp Kit



Item No. ERK-R52
 Description Enerack 52mm Rail



Item No. ERK-R52L
 Description Enerack 52mm L Rail



Item No. ERK-R62
 Description Enerack 62mm Rail



Item No. ERK-R62C
 Description Enerack 62mm C Rail



Item No. ERK-R60
 Description Enerack 60mm Rail



Item No. ERK-R65
 Description Enerack 65mm Rail



Item No. ERK-R42
 Description Enerack 42mm Rail



Item No. ERK-R41
 Description Enerack 41mm Rail (T-Bolt)



RAIL & ACCESSORIES


11
 Item No. ERK-R41-2
 Description Enerack 41mm Rail for Ballasted Mounting




12
 Item No. ERK-R46
 Description Enerack 46mm Rail



19
 Item No. ERK-AEC
 Description Universal Adjustable (30-35mm) End Clamp Kit



20
 Item No. ERK-AIC
 Description Universal Adjustable (30-40mm) Inner Clamp Kit



13
 Item No. ERK-R29
 Description Enerack 29mm Rail




14
 Item No. ERK-R26
 Description Enerack 26mm Rail



21
 Item No. ERK-EIC
 Description Universal Adjustable (30-40mm) Inner Clamp Kit (Include Spring & Earthing Clip)



22
 Item No. ERK-FEC
 Description General End Clamp Kit



15
 Item No. ERK-SFR-01
 Description Splice for Rail Kit 01



16
 Item No. ERK-SFR-02
 Description Splice for Rail Kit 02



23
 Item No. ERK-RCN
 Description Standard Rail Clamp with ERK Nuts



24
 Item No. ERK-RCB
 Description Standard Rail Clamp with T-Bolt Kit



17
 Item No. ERK-SFR-03
 Description Splice for R41 Rail Kit



18
 Item No. ERK-SFR-04
 Description Splice for R41-2 Rail Kit

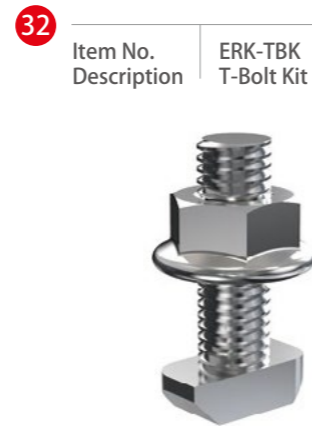


25
 Item No. ERK-REC
 Description ERK-R52 Rail & ERK-R52L Rail End Cover Cap



26
 Item No. ERK-RCC
 Description Standard Rail Clamp with the Carriage Bolt





METAL ROOF ATTACHMENT

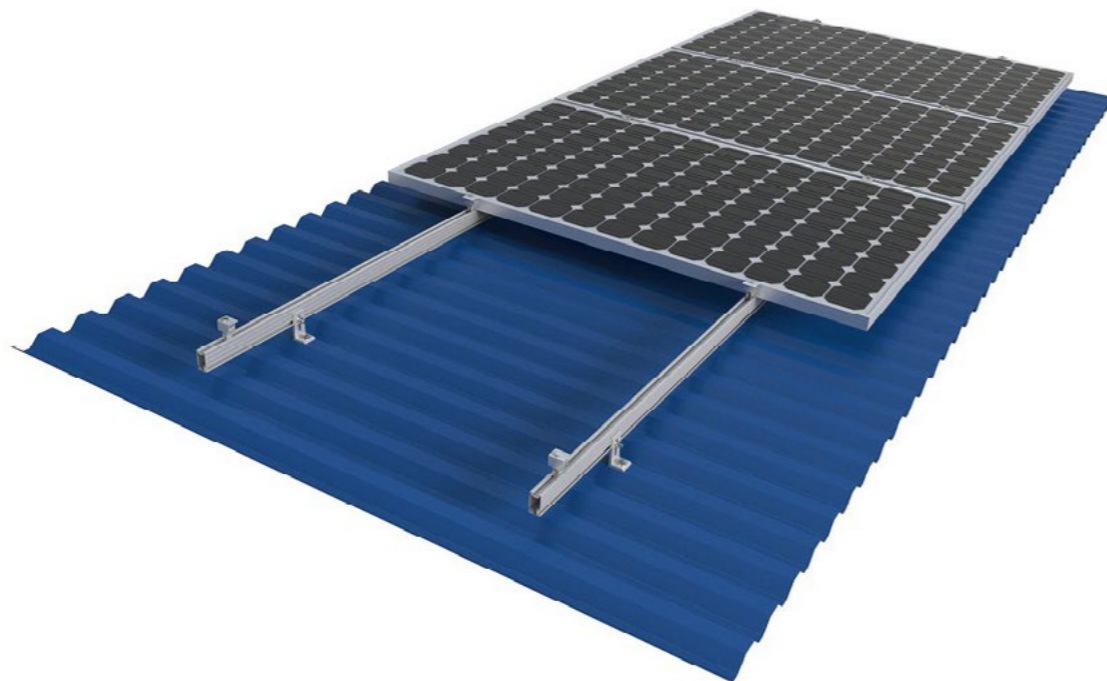
Enerack Tin roof systems divided into two fixing methods :

1. Drilling solutions, like bracket L-feet, hanger bolt, T type hook etc.
2. Standing seam clamp, direct mounting, no damage to the roof.

A design that includes major specifications saves you inventory cost, quick and easy to install. Innovative design of rail connect base-support can effectively increase the product strength, ensure the safety of the product use. Enerack have a large variety of tin roof brackets for customers' choice Customization allowed according to customers' need to meet special installation requirements.

Technical features:

Product name	Metal roof mounting system
Application	Metal roof
Inclination	Parallel to the roof
Material	AL 6005-T5, SUS 304, EPDM
Finish	AL 6005-T5 Anodized, SUS 304 Shot blasting
Module orientation	Landscape or Portrait



Item No. ERK-TRB-D01
 Description L Feet for Corrugated or Trapezoidal Sheet Metal



Item No. ERK-TRB-D25
 Description Offset Hole L Feet for Corrugated or Trapezoidal Sheet Metal



Item No. ERK-TRB-D03
 Description Hanger Bolt L Feet for Corrugated Fibre Cement, Corrugated or Trapezoidal Sheet Metal (M10×180, M10×200, M10×250, M10×300)



Item No. ERK-TRB-D26
 Description Hanger Bolt Offset Hole L Feet for Corrugated Fibre Cement, Corrugated or Trapezoidal Sheet Metal (M10×180, M10×200, M10×250, M10×300)



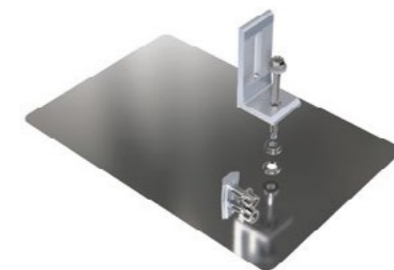
Item No. ERK-TRB-D22
 Description L Feet for Trapezoidal Sheet Metal



Item No. ERK-TRB-D05
 Description Hanger Bolt for Corrugated Fibre Cement, Corrugated or Trapezoidal Sheet Metal (M10×180, M10×200, M10×250, M10×300)



Item No. ERK-TRB-D09
 Description Asphalt Shingles Interface



Item No. ERK-TRB-D08
 Description 8# Tin Roof Hook for Trapezoidal Sheet Metal



Item No. ERK-TRB-D07
 Description 7# Tin Roof Hook for Trapezoidal Sheet Metal



Item No. ERK-TRB-D06
 Description 6# Tin Roof Hook for Trapezoidal Sheet Metal



METAL ROOF ATTACHMENT

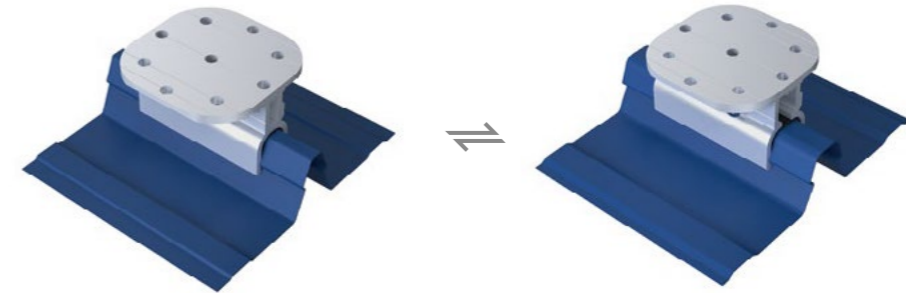
11 Item No. ERK-TRB-D21
 Description 21# Tin Roof Hook for Trapezoidal Sheet Metal



12 Item No. ERK-TRB-D20
 Description 65mm Mini Rail for Corrugated or Trapezoidal Sheet Metal



Item No. ERK-TRB-C02
 Description Klip Lok 406 & 700 Interface



18

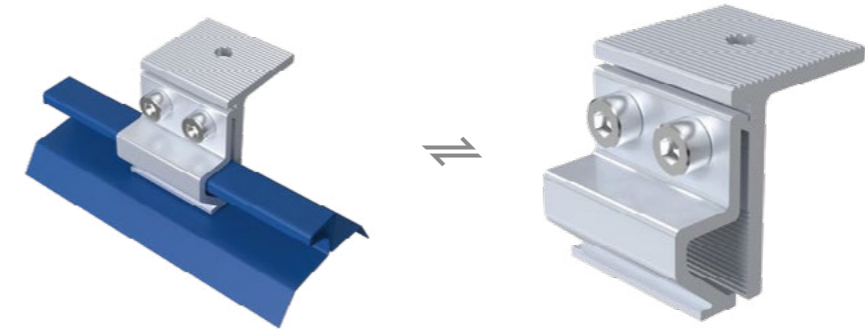
13 Item No. ERK-TRB-D13
 Description 60mm Mini Rail for Corrugated or Trapezoidal Sheet Metal



14 Item No. ERK-TRB-D10
 Description 26mm Mini Rail for Corrugated or Trapezoidal Sheet Metal



Item No. ERK-TRB-C04
 Description Standing Seam Clamp



19

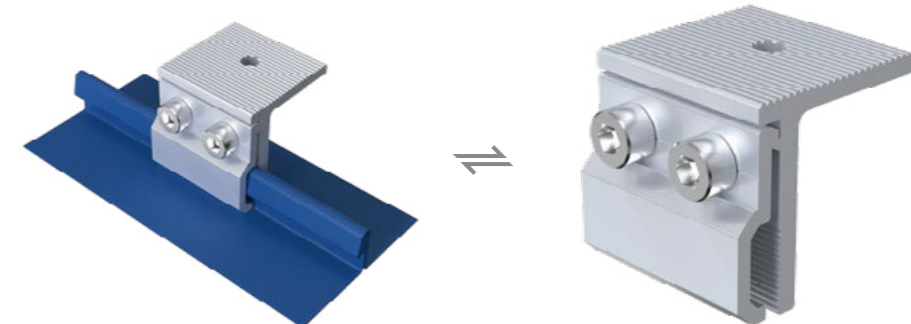
15 Item No. ERK-TRB-D11
 Description 29mm U Type Rail for Corrugated or Trapezoidal Sheet Metal



16 Item No. ERK-TRB-D14
 Description 46mm Mini Rail for Corrugated or Trapezoidal Sheet Metal

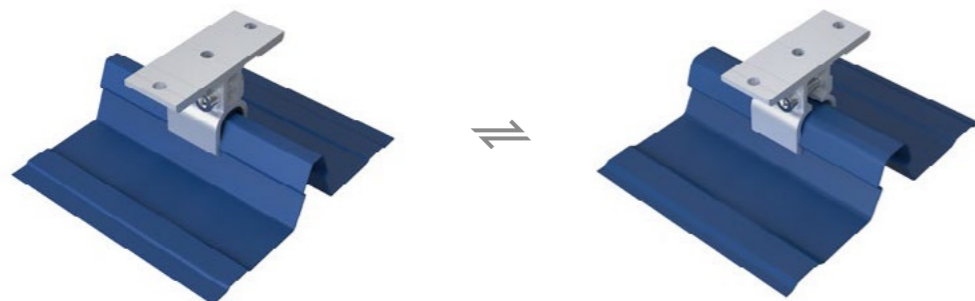


Item No. ERK-TRB-C05
 Description Standing Seam Clamp

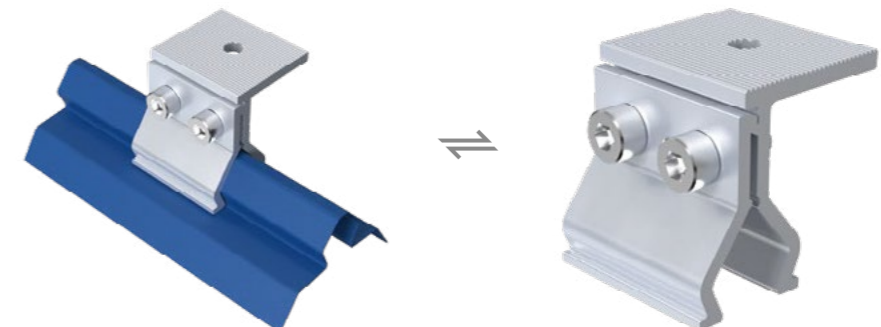


20

17 Item No. ERK-TRB-C01
 Description Klip Lok 406 & 700 Interface



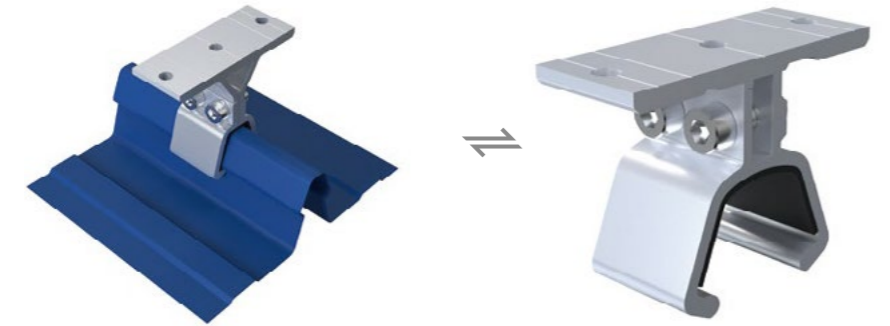
Item No. ERK-TRB-C06
 Description Standing Seam Clamp



21

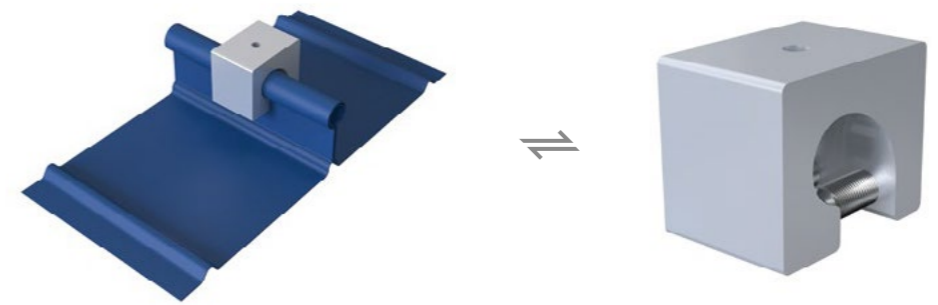
METAL ROOF ATTACHMENT

22 Item No. ERK-TRB-C14
 Description Metdek 855 Dimondek 630 Interface

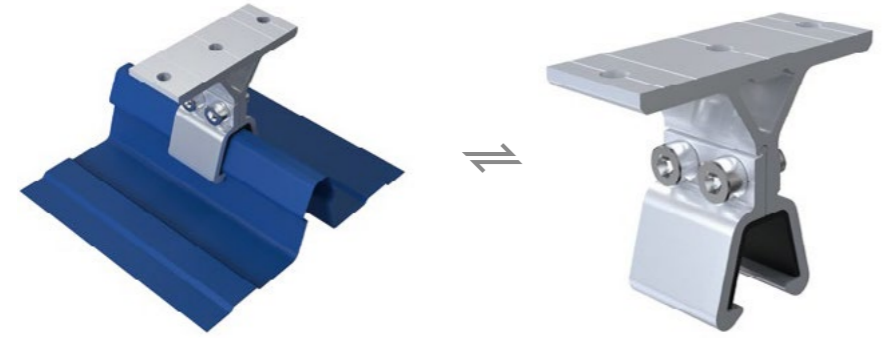


Item No. ERK-TRB-C21
 Description Standing Seam Clamp

26

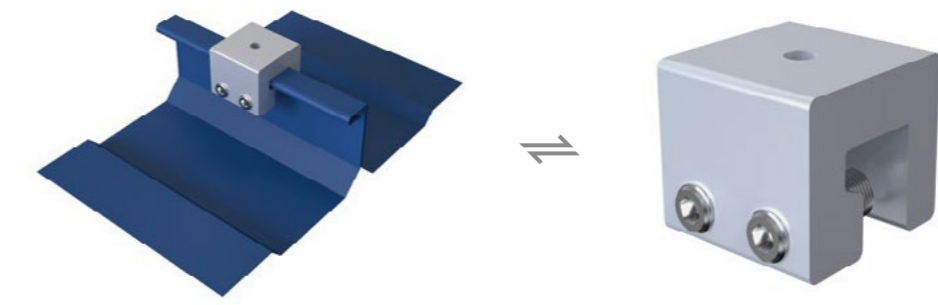


23 Item No. ERK-TRB-C15
 Description Metdek 500 Interface

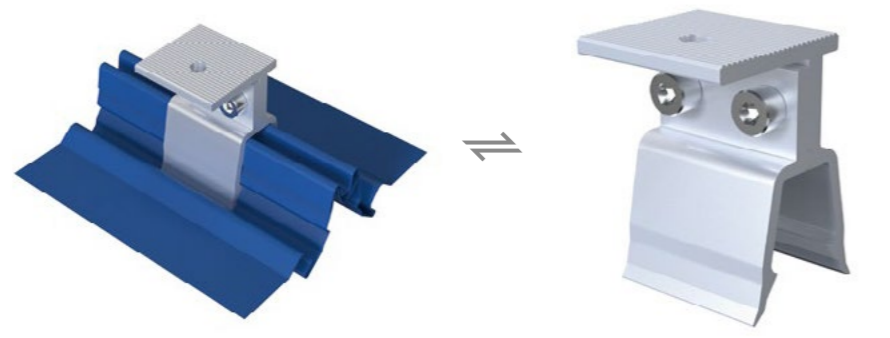


Item No. ERK-TRB-C22
 Description Standing Seam Clamp

27



24 Item No. ERK-TRB-C16
 Description RiverClack Roofing Profile

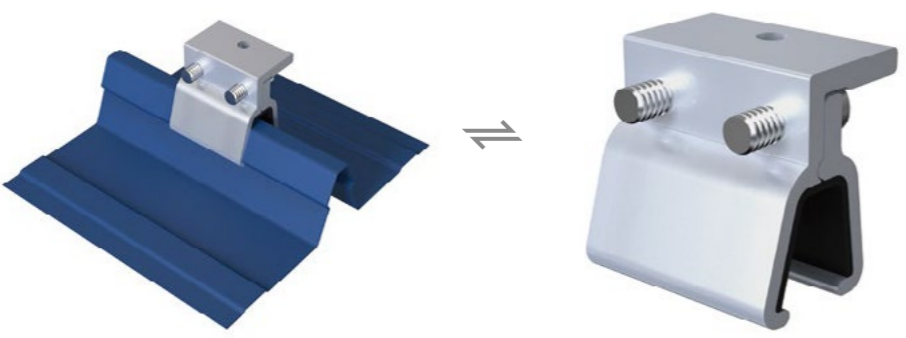


Item No. ERK-TRB-C23
 Description Klip Lok 700 Interface

28



25 Item No. ERK-TRB-C20
 Description Lysaght Klip-lok 406 Interface



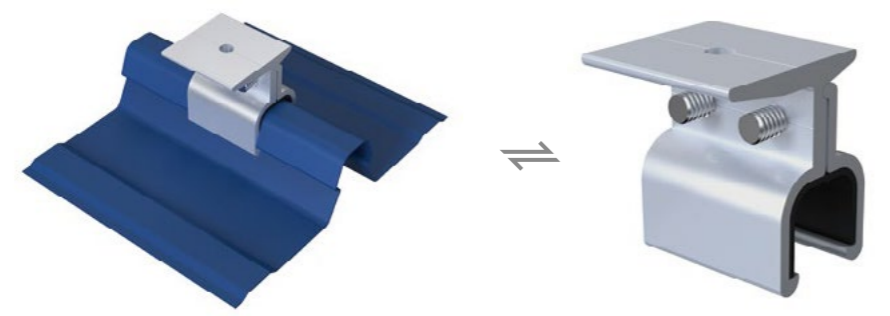
Item No. ERK-TRB-C24
 Description Standing Seam Clamp

29

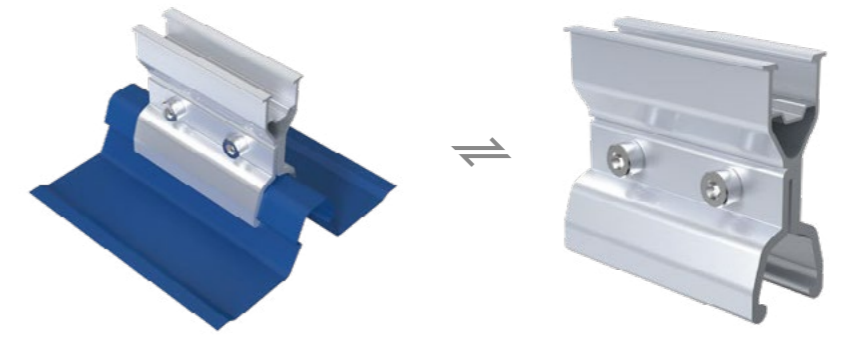


METAL ROOF ATTACHMENT

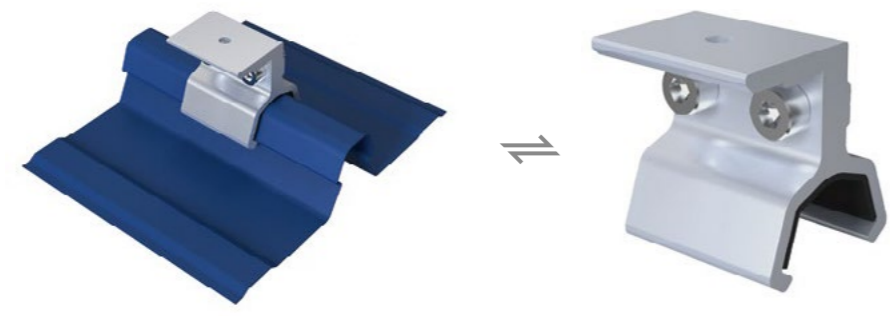
30
 Item No. ERK-TRB-C25
 Description Klip Lok 700 Interface



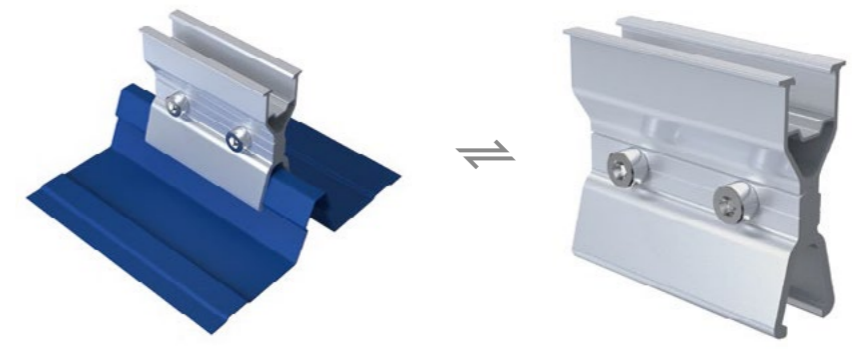
34
 Item No. ERK-TRB-C38
 Description Lysaght Klip-lok 700 Interface



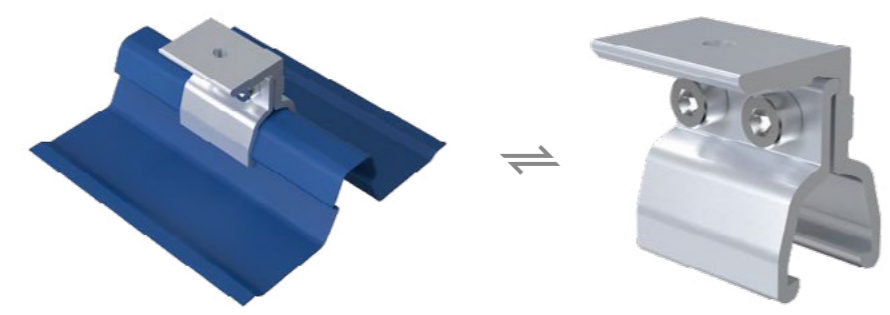
31
 Item No. ERK-TRB-C26
 Description WeatherClip II 700 Interface



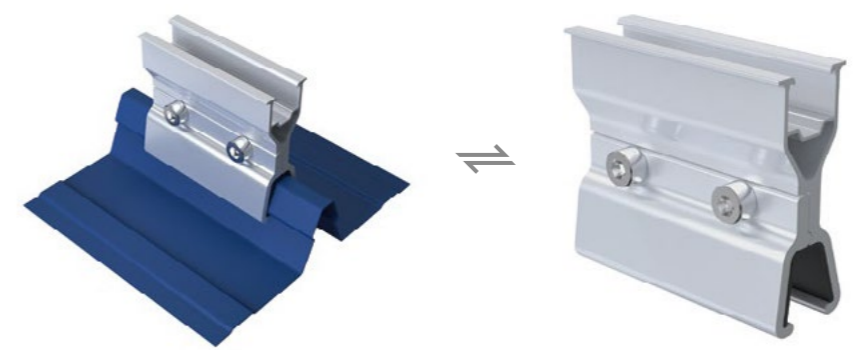
35
 Item No. ERK-TRB-C13
 Description Lysaght Klip-lok Interface



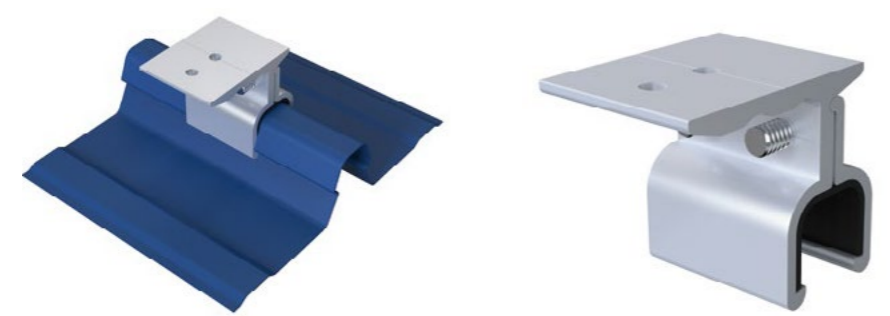
32
 Item No. ERK-TRB-C39
 Description Lysaght Klip-lok 700 Interface



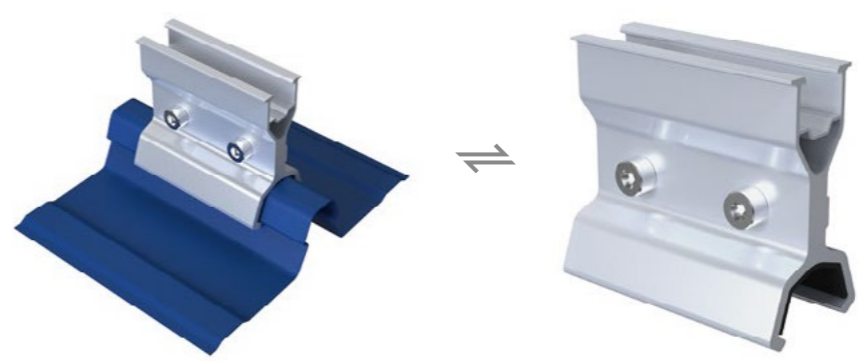
36
 Item No. ERK-TRB-C29
 Description Lysaght Klip-lok 406 Interface



33
 Item No. ERK-TRB-C27
 Description Klip Lok 700 Interface



37
 Item No. ERK-TRB-C30
 Description WeatherClip II 700 Interface



METAL ROOF ATTACHMENT

38
 Item No. ERK-TRB-C31
 Description Clip Lock Interface

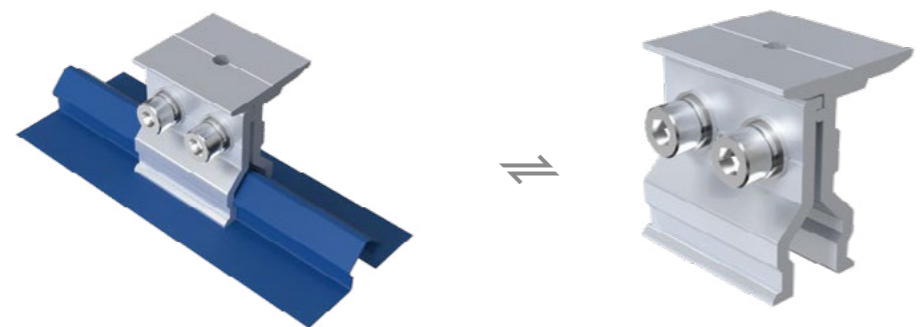


Item No. ERK-TRB-C35
 Description Standing Seam Clamp



42

39
 Item No. ERK-TRB-C32
 Description Valio Metal Sheet Roof Interface

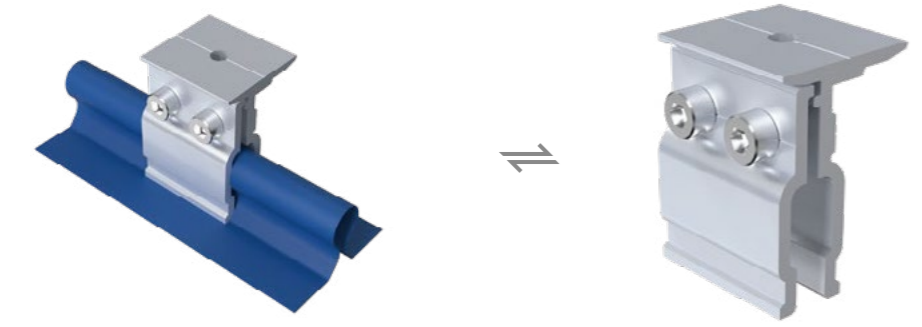


Item No. ERK-TRB-C36
 Description Standing Seam Clamp

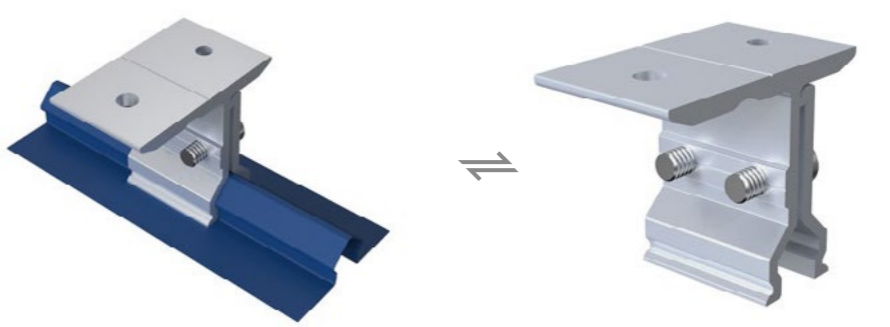


43

40
 Item No. ERK-TRB-C33
 Description Standing Seam Clamp

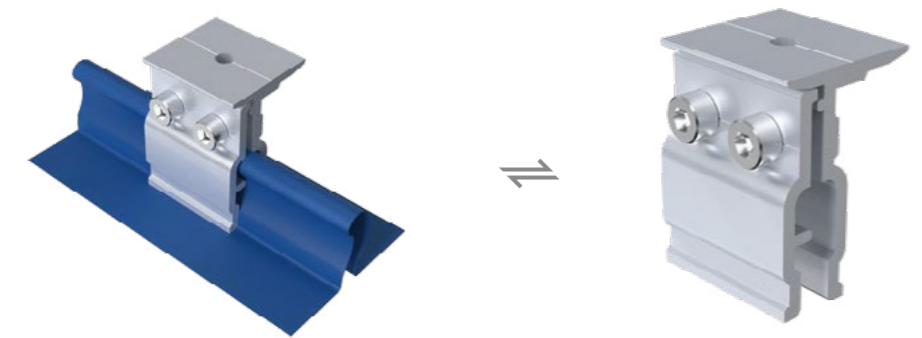


Item No. ERK-TRB-C28
 Description Valio Metal Sheet Roof Interface

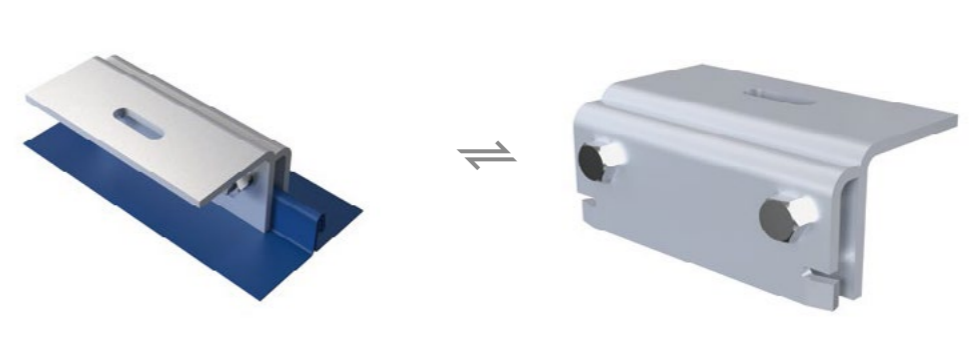


44

41
 Item No. ERK-TRB-C34
 Description Standing Seam Clamp



Item No. ERK-TRB-C10
 Description Stainless Steel Tin Interface Bracket



45

TILE ROOF ATTACHMENT

Enerack has many types of tile roof hooks, suitable for most roof types of tile, flat tile, slate tile, asphalt shingle tile. A design that includes major specifications saves you inventory cost, quick and easy to install. Innovative design of rail connect base-support can effectively increase the product strength, ensure the safety of the product use. Enerack has a large variety of roof hooks provide customers options. Customization allowed according to customers' need to meet special installation requirements.

Technical features:	
Product name	Tile roof mounting system
Application	Tile roof, Flat tile roof, Slate roof
Inclination	Parallel to the roof
Material	AL 6005-T5, SUS 304
Finish	AL 6005-T5 Anodized, SUS 304 Shot blasting
Module orientation	Landscape or Portrait




Item No. Description	ERK-TRH-T17 Tile Roof Hook	1	Item No. Description	ERK-TRH-T02 Tile Roof Hook	2	Item No. Description	ERK-TRH-T01 Tile Roof Hook	3
Item No. Description	ERK-TRH-T18 Tile Roof Hook	4	Item No. Description	ERK-TRH-T04 Tile Roof Hook	5	Item No. Description	ERK-TRH-T03 Tile Roof Hook	6
Item No. Description	ERK-TRH-T20(t=6mm) Tile Roof Hook	7	Item No. Description	ERK-TRH-T06 Tile Roof Hook	8	Item No. Description	ERK-TRH-T05 Tile Roof Hook	9
Item No. Description	ERK-TRH-T08 Tile Roof Hook	10	Item No. Description	ERK-TRH-T07 Tile Roof Hook	11			

TILE ROOF ATTACHMENT


12

Item No.	ERK-TRH-T09
Description	Tile Roof Hook



13

Item No.	ERK-TRH-T10
Description	Tile Roof Hook




20

Item No.	ERK-TRH-F01
Description	Flat Tile Roof Hook




21

Item No.	ERK-TRH-F02
Description	Flat Tile Roof Hook




14

Item No.	ERK-TRH-T11
Description	Tile Roof Hook



15

Item No.	ERK-TRH-T12
Description	Tile Roof Hook




22

Item No.	ERK-TRH-F03
Description	Flat Tile Roof Hook




23

Item No.	ERK-TRH-F04
Description	Flat Tile Roof Hook




16

Item No.	ERK-TRH-T13
Description	Tile Roof Hook




17

Item No.	ERK-TRH-T14
Description	Tile Roof Hook




24

Item No.	ERK-TRH-S01
Description	Slate Roof Hook




25

Item No.	ERK-TRH-S02
Description	Slate Roof Hook




18

Item No.	ERK-TRH-T15
Description	Tile Roof Hook




19

Item No.	ERK-TRH-T16
Description	Tile Roof Hook




26

Item No.	ERK-TRH-S03
Description	Slate Roof Hook



27

Item No.	ERK-TRH-S04
Description	Slate Roof Hook



TILT MOUNTING



Enerack adjustable tilt system is used for metal roof concrete roof. Fixed or adjustable angles as 10-15 deg, 15-30 deg and 30-60 degree are for your option to maximize energy production.

All Products pre-assembled before shipment, to make the installation easy and quick. Unique design of inner and outer tube with adjustable joints, makes structure stronger, different from the same type products on the market today, and widely compatible with standing seam clamp.

Technical features:

Product name	Adjustable tilt mounting system
Application	Flat concrete roof, metal roof
Inclination	10-15°, 15-30°, 30-60° or customized
Material	AL 6005-T5, SUS 304, EPDM
Finish	AL 6005-T5 Anodized
Module orientation	Landscape or Portrait

1 Assembly

Item No. | ERK-AFL
 Description | Adjustable Front Leg



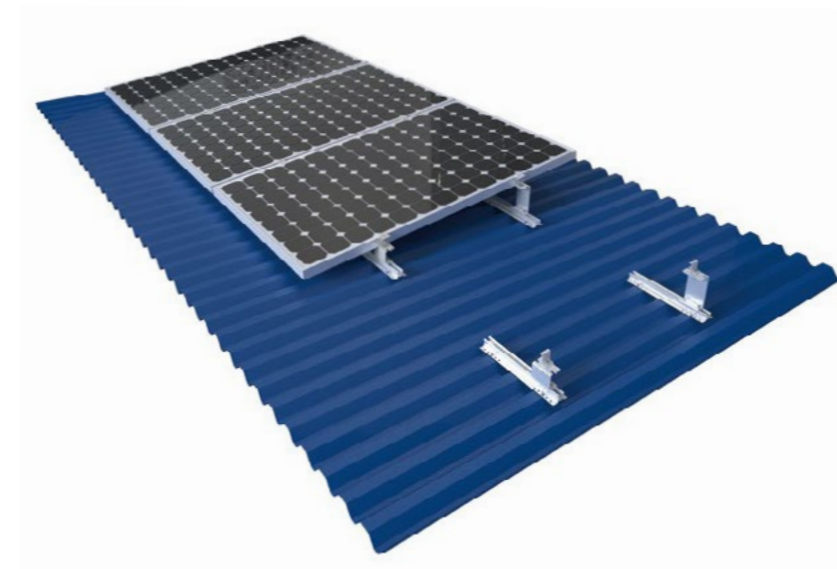
Item No. | ERK-FEC
 Description | General End Clamp Kit



Item No. | ERK-EIC
 Description | Universal Adjustable (30-40mm) Inner Clamp Kit (Include Spring & Earthing Clip)



Item No. | ERK-ARL-1015
 ERK-ARL-1530
 ERK-ARL-1530
 Description | 10-15° Adjustable Rear Leg
 15-30° Adjustable Rear Leg
 30-60° Adjustable Rear Leg



Mini Rail with 5 degree support base, lift up the height of the solar panel to achieve cooling conditions, thus maximizing power generation. Simple design, easy to install, with good price.

Technical features:

Product name	Mini Rail 5° Support mounting system
Application	Metal roof
Inclination	5°
Material	AL 6005-T5, SUS 304
Finish	AL 6005-T5 Anodized
Module orientation	Portrait

1 Assembly

Item No. | ERK-FEC-BS
 Description | General End Clamp Kit



Item No. | ERK-AIC-BS
 Description | Universal Adjustable (30-40mm) Inner Clamp Kit



Item No. | ERK-TRB-D10
 Description | 26mm Mini Rail for Corrugated or Trapezoidal Sheet Metal



Item No. | ERK-MRS-5
 Description | Mini Rail 5° Support Rear Leg



Item No. | ERK-MFS-5
 Description | Mini Rail 5° Support Front Leg



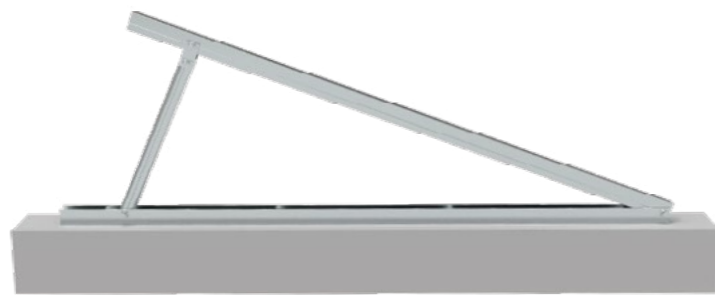
TILT MOUNTING



Enerack Tripod system is used for metal roof concrete roof, you can adjust angles as 10-15deg, 15-30deg and 30-60deg options to maximize energy production. All Products pre-assembled before shipment, to make the installation easy and quick for saving your labor cost and time. Customized angle allowed according to customers' need to meet special installation requirements.

Technical features:

Product name	Tripod mounting system
Application	Flat concrete roof, metal roof, open terrain
Inclination	Customized
Material	AL 6005-T5, SUS 304
Finish	AL 6005-T5 Anodized
Module orientation	Landscape or Portrait



1 Assembly

Item No. | ERK-FTP
 Description | The Fixing Angle Tripod



Item No. | ERK-ATP
 Description | The Adjustable Angle Tripod



Item No. | ERK-R52
 Description | Enerack 52mm Rail



Item No. | ERK-EIC
 Description | Universal Adjustable (30-40mm) Inner Clamp Kit (Include Spring & Earthing Clip)



Item No. | ERK-FEC
 Description | General End Clamp Kit



Enerack Tripod systems have fixed angle and adjustable angle design for options.



1.Fixed Angle Tripod system(ERK-FTP-X): According to customers' need ,we customize different sizes and angles to make a fast, easy and lower cost installation, this is Suitable for installation at known building angle.



2.Adjustable Angel Tripod (ERK-ATP-X): According to the site need to adjust the tripod angle for installation demand. It is suitable for multi-angle installation projects.

2 Assembly

Beam



U Base



32-32 AL Tube



3 Assembly

Beam



U Base



32-32 AL Tube



27-27 AL Tube



BALLASTED-PRO MOUNTING



10 or 15 Degree dual tilt

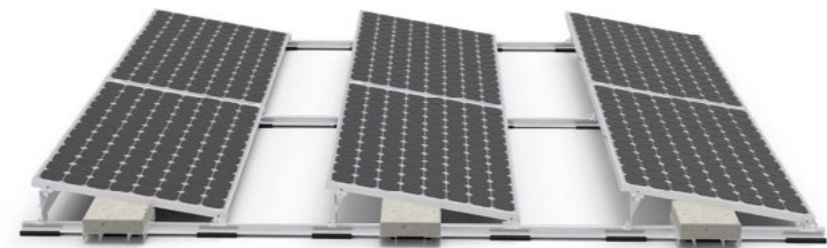
- Maximal area utilized
- Maximal PV quantity installed
- Enerack E-W 10 or 15 is for solar installed on a flat roof, for maximized roof space utilized, and PV quantity installed.
- All parts are made of extruded aluminum, with stainless steel 304 fasteners
- EPDM foam tape is installed at the bottom of the system, separated the roof and system.
- EPDM foam tape provides better friction, and compensates for the height difference when the roof is uneven.

Technical features:	
Product name	E-W 10 or 15
Application	Flat roof
Tilt	10° or 15°
System Material	extruded aluminum profile 6005 T5
Fastener material	Stainelss steel 304
Finish	Anodized
Module orientation	Landscape



1 Assembly

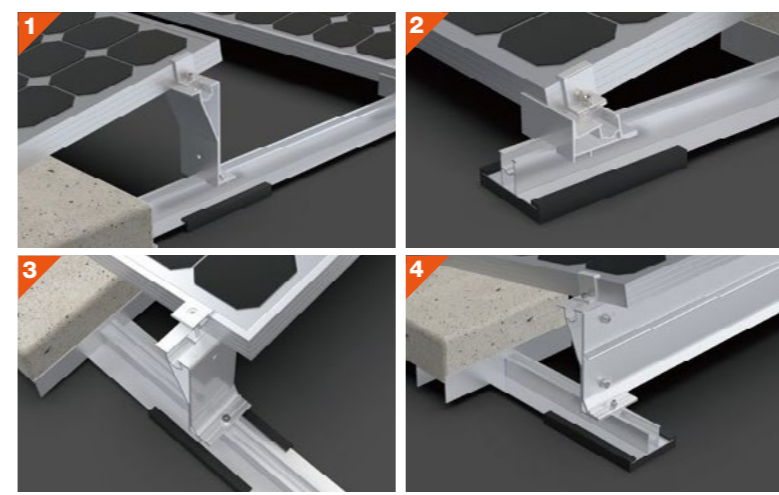
- ERK-AIC 
- ERK-FEC 
- ERK-BPF-10 
- ERK-BPR-10 
- ERK-BPF-15 
- ERK-BPR-15 



10 or 15 Degree tilt

- Better panel output
- The Enerack S Ballast is for solar PV to be fast and easily installed on a flat roof with 10 or 15 tilt degree inclination. All parts are made of extruded aluminum, with stainless steel 304 fasteners
- EPDM foam tape is installed at the bottom of the system, separated the roof and system.
- EPDM foam tape provides better friction and compensates for the height difference when the roof is uneven.

Technical features:	
Product name	S 10 or 15
Application	Flat roof
Tilt	10° or 15°
System Material	extruded aluminum profile 6005 T5
Fastener material	Stainelss steel 304
Finish	Anodized
Module orientation	Landscape



2 Assembly

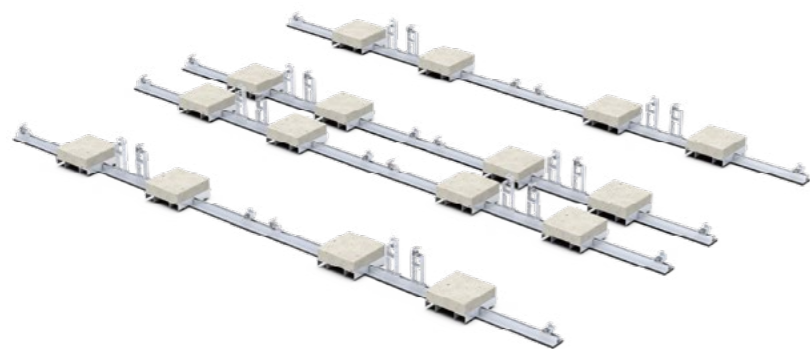
- ERK-R41-02 
- ERK-BST-02 
- ERK-SFR-04 
- ERK-EFT-03 

BALLASTED-ULT MOUNTING








Enerack East & West Ballasted-Ult Systems suitable for concrete flat roof and trapezoidal sheet metal roof. Unlike the traditional solar panel fixing method, whose fixing point at the end of the long side of the panel, this series help solar panels to be fixed anywhere on the long side. Therefore, solar panels could withstand greater wind and snow pressure. There is no need to use expansion bolts or chemical bolts on the roof, no damage to roof. The system connects all the panels with the rails into a whole. East-west facing panels have a great effect on resisting wind loads. A combination of high quality aluminium components make a robust, reliable system and quick and easy installation.

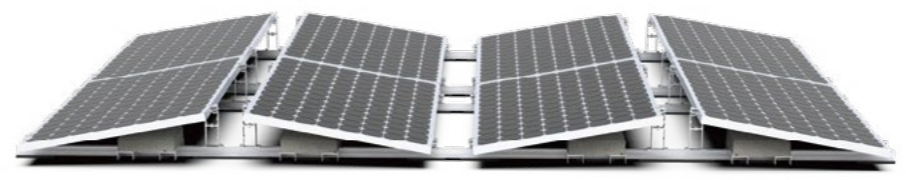
Technical features:	
Product name	Ballasted-ULT Series
Application	Concrete flat roof and trapezoidal sheet metal roof Tilt: 10°
System Material	Extruded aluminum profile 6005 T5, EPDM
Fastener material	Stainless steel 304
Finish	Anodized
Module orientation	Landscape



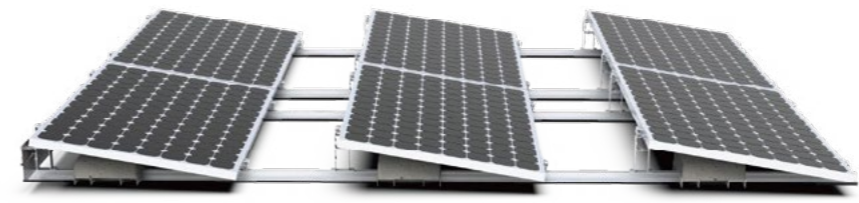
1 Assembly

- ERK-BUF-10 
- ERK-BUR-10 
- ERK-R41-02 
- ERK-BST-02 
- ERK-SFR-04 
- ERK-EFT-03 

Product Feature:
 Solar panels could withstand greater wind and snow pressure.
 Maximal area utilized.
 Maximal PV quantity installed.
 Maximized roof space utilized, and PV quantity installed.
 Better panel output.
 Solar PV to be fast and easily installed on a flat roof with 10° tilt degree inclination.
 All parts are made of extruded aluminum, with stainless steel 304 fasteners.
 EPDM foam tape is installed at the bottom of the system, separated the roof and system.
 EPDM foam tape provides better friction and compensates for the height difference when the roof is uneven.



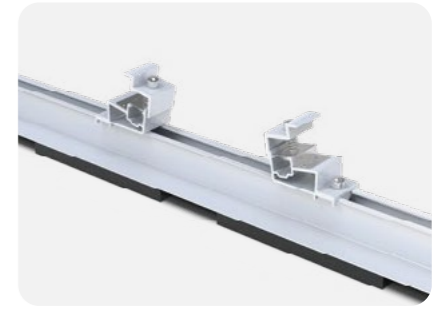
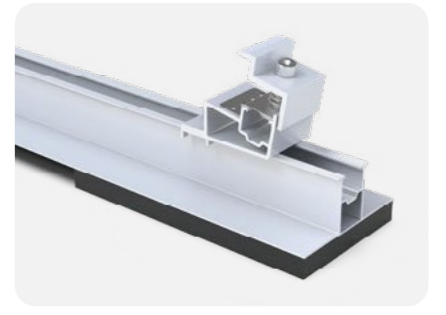
East & West 10° for concrete flat roof



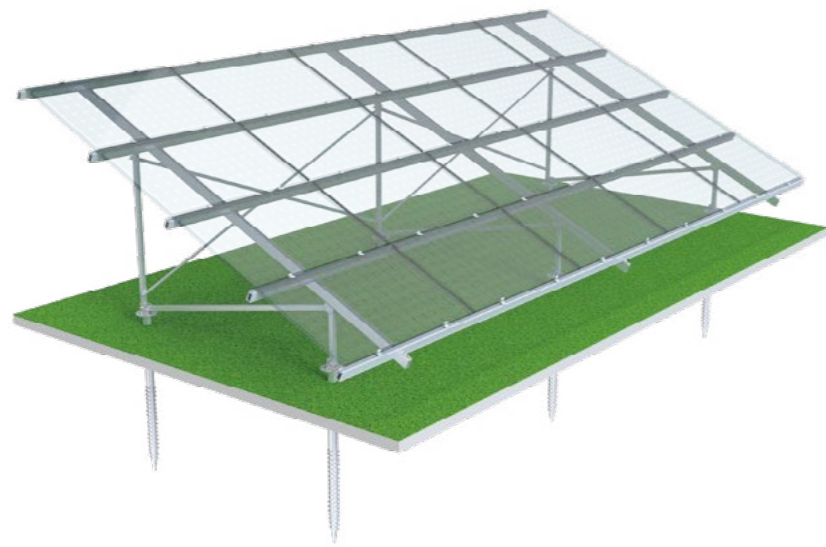
South or North 10° for concrete flat roof



South or North 10° for trapezoidal sheet metal roof



GROUND MOUNTING



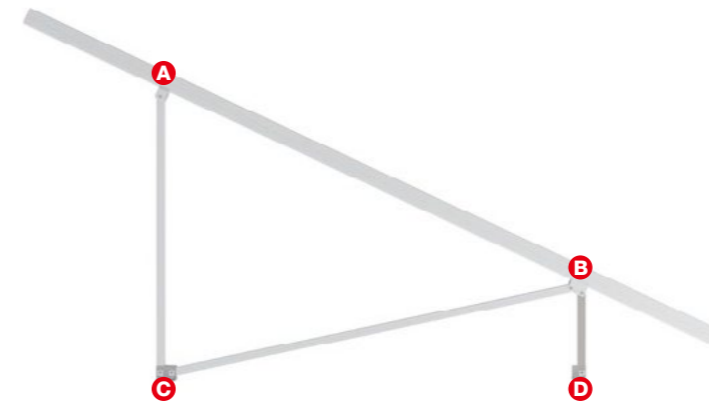
Standard Ground Mounting System

Aluminum ground mount, optimized for lightweight, quick and efficient installation with flexible on engineering upon site conditions. Optional on foundation by ground screw or concrete. Maximize pre-assembled before shipment

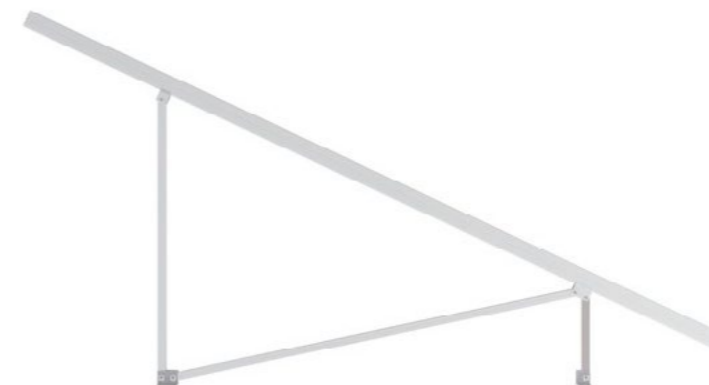
Technical features:

Product name	Standard ground mounting system
Application	Flat concrete roof, open terrain
Inclination	Customized
Material	AL 6005-T5, SUS 304, Q235
Finish	AL 6005-T5 Anodized, Q235 Hot-dip galvanizing
Module orientation	Landscape or Portrait

1 Assembly



Ground mounting system has been maximized pre-assembly before shipment, which make the installation more convenient.



N-Type

W-Type

2 Pre-Assembly



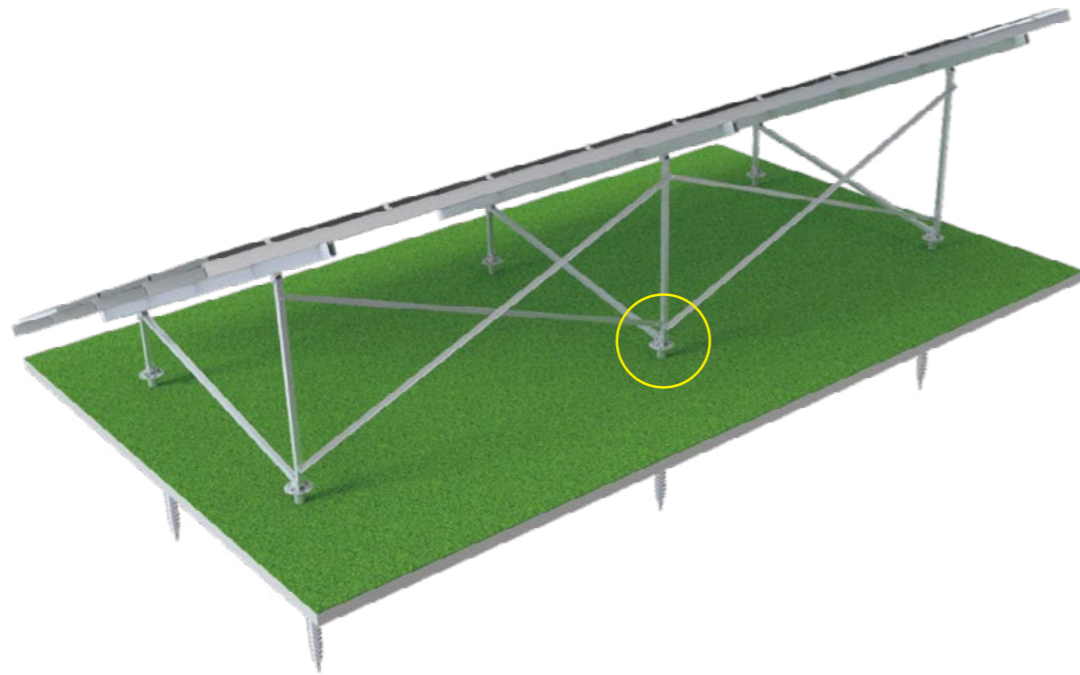
Depending on the different design conditions, pre-assembly support is generally designed into the following two shapes:

The N-Type pre-assembly support is mainly used for the small wind & snow load condition projects.(2-4 columns)

The W-type pre-assembly support is mainly for the 4-5 columns wind & snow load condition projects. We will add cross support to make the structure stronger if the ground height is higher or wind & snow load is larger.

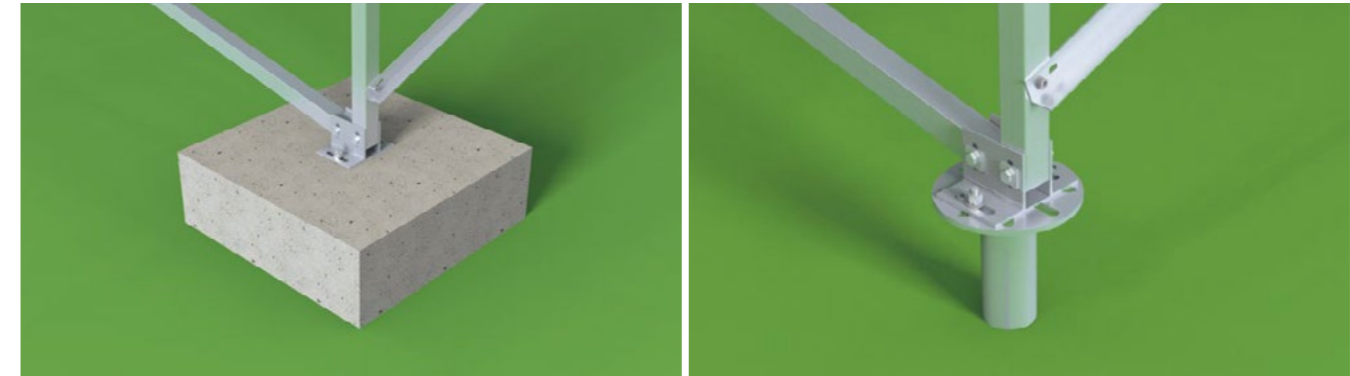
GROUND MOUNTING

3 Cross



4 Foundation

Ground mounting system are commonly used for Concrete Foundation and Screw Foundation.



Concrete Foundation

Screw Foundation



Item	Concrete Foundation	Screw Foundation
Applicable terrain	Flat, Even Tilt, Ladder	
Applicable geology (reference)	Random	SWS3≤N≤10 SWS Test, cohesive soil 3 ≤N≤10
Difficulty Level	Complicated	Easy
Cost	Higher	Lower
Adjustment range	Not convenient to adjust the height of base	Larger
Corrosion resistance	Anti-Corrosion	Hot-dip galvanizing on the surface of the screw foundation, which has met the anti-corrosion requirements of the service life

Conventional pile compression and tensile strength reference values(KN)								
Ground Screw Length	N=3		N=5		N=7		N=10	
	Resistance	compression Resistance	Resistance	compression Resistance	Resistance	compression Resistance	Resistance	compression Resistance
1600	8.7	9.1	14.6	15.2	20.4	21.4	29.2	30.6
1800	9.9	10.2	16.5	17.1	23.1	24	33	34.4
2000	11	11.4	18.4	19	25.8	26.7	36.8	38.2
2200	12.2	12.5	20.3	21	28.4	29.4	40.6	42
2500	13.9	14.2	23.2	23.8	32.4	33.4	46.4	47.8

Remarks: The N value of the soil in this table are based on the Swedish penetration test (SWS).

GROUND MOUNTING



U Pile Ground Mounting System

Enerack U Pile Ground Mounting Systems suitable for large scale power station installation, Pile to the ground makes installation faster and lower cost than others. Each components are Maximize pre-assembled, widely save your labor cost and installation time. Customization allowed according to project wind & snow load, provide economic & effective solutions.



1 Assembly

- Mid clamp 
- Rail 
- End clamp 
- Rail fixing clamp 
- Main structure 








The U type Pile Ground Mounting System has been folded into a rectangular shape before shipment. Easy to transport.

Technical features:	
Product name	U Pile ground mounting system
Application	Open terrain
Inclination	Customized
Material	AL 6005-T5, SUS 304, Q235
Finish	AL 6005-T5 Anodized, Q235 Hot-dip galvanizing
Module orientation	Landscape or Portrait

Penetration depth	Conventional U pile compression and tensile strength reference values (KN)							
	N=3		N=5		N=7		N=10	
	Resistance	Compression Resistance	Resistance	Compression Resistance	Resistance	Compression Resistance	Resistance	Compression Resistance
1500	9.5	11.5	15.7	19.3	21.9	27	31.1	38.6
1600	10.1	12.3	16.7	20.6	23.3	28.8	33.2	41.2
1700	10.8	13.1	17.8	21.8	24.8	30.6	35.3	43.7
1800	11.4	13.9	18.8	23.1	26.2	32.4	37.3	46.3
2000	12.6	15.4	20.8	25.7	29.1	36	41.4	51.5
2200	13.8	17	22.9	28.3	32	39.6	45.6	56.6
2500	15.7	19.3	26	32.1	36.3	45	51.7	64.3

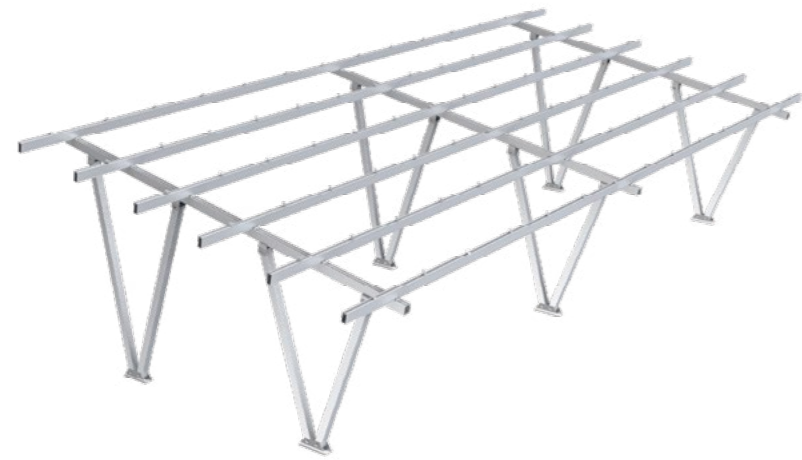
Remarks: The N value of the soil in this table are based on the Swedish penetration test (SWS).

2 Main structure & components

- U Pile 
- Beam 
- Square tube 
- Holder 
- H Support 

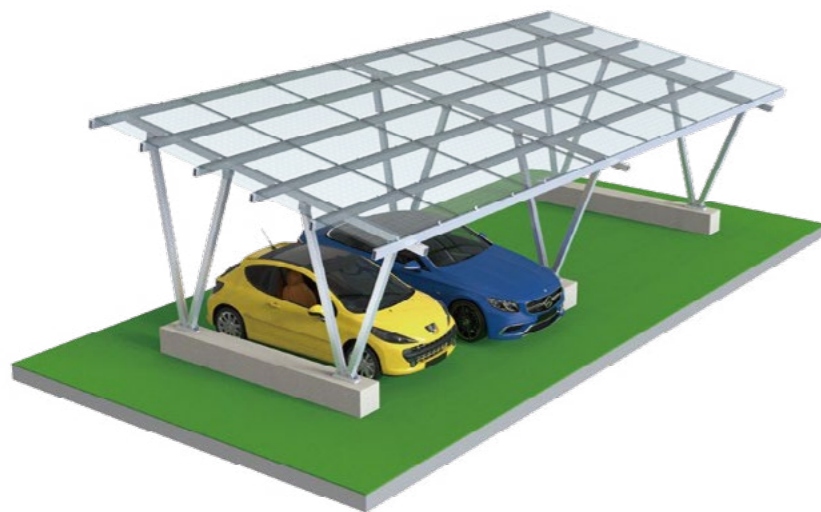
CARPORT MOUNTING

1 Structure & components



Carport Mounting System

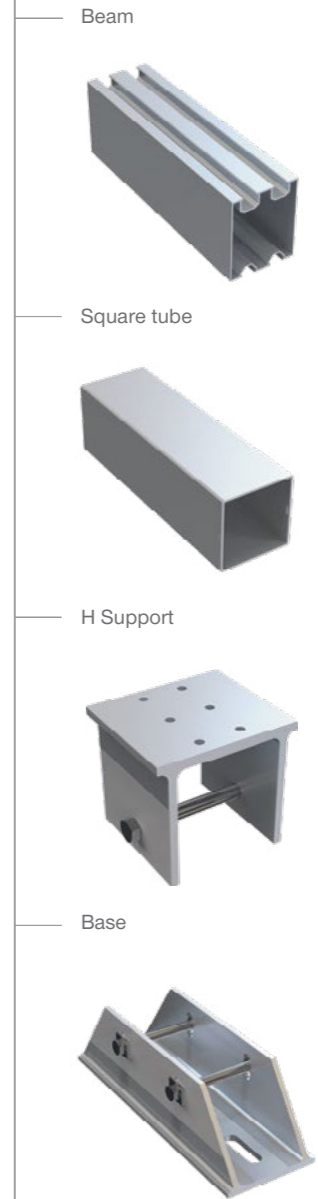
Enerack Carport Mounting Systems offers a simplified and economical solutions that provides a perfect combination of Shade parking and solar power generation as well as electric vehicle charging. It applied for family parking, commercial parking, awnings and even bus stops.



highly pre-assembled main structure for solar modules landscape or portrait 5° / 8° / 10° inclination or custom customized and engineered to project maximal span up to 5.4m cover up to 2 parking spaces per span.

Technical features:	
Product name	Carport mounting system
Application	Solar parking structure
Inclination	5° , 8° , 10° or customized
Material	AL 6005-T5, SUS 304
Finish	AL 6005-T5 Anodized
Module orientation	Landscape

2 Main structure & components



WATERPROOF CARPORT SYSTEM



Our carport systems are sold to Africa, the Middle East, Southeast Asia, Europe and the South America. The idle area of the parking shed is used to build a photovoltaic parking shed, and the combination of photovoltaic power generation and carport is the simplest one in the combination of photovoltaic and building. It can not only achieve all the functions of the traditional carport, but also bring electricity generation benefits to the owner. It is stored in the battery by the charging device or directly supplied to the electric vehicle to charge for self-use. You can even use extra power to get online. Using aluminum alloy structure bracket, simple installation, generous, fashionable, elegant.

Product Overview:

Install Site	Flat outdoor
Material	AL6005-T5, SUS304
Standards	AS/NZ1170.2、 JIS C 8955、 MCS 012、 TUV、 UL2703 etc
Tilt Angle	5° , 30°

1 Assembly

- ERK-R125 
- ERK-CPS 
- ERK-B110 
- ERK-CPH-01 
- ERK-CPS-02 



Features:

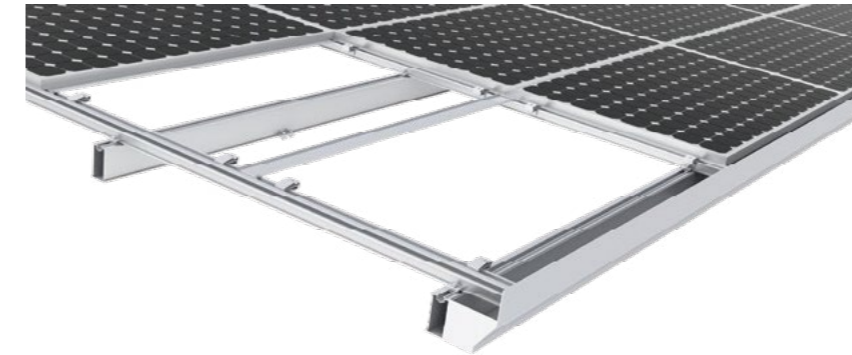
1. Good heat absorption.
2. Good waterproof and rain protection, convenient installation, and flexibility.
3. Make full use of the original site to provide green energy.
4. Suitable for frame panel: Poly modules, double glass module etc.

Installation place: home, company, shopping mall, large parking lot.





Parking category: battery car/bicycle, car, bus.

Number of parking Spaces: 1 parking space, 2 parking Spaces, 3 parking Spaces, multiple parking Spaces (large span).

By row: single row parking space, double row parking space.



2 Component List

- ERK-HWT 
- ERK-RWT 
- ERK-GRC 
- ERK-PVC 

Product Catalog Solar Mounting Solutions



WhatsApp



Web



Xiamen Enerack Technology Co., Ltd.

Tel: +86 - 592-5669285

Mail: info@enerack.com

Fax: +86 - 592-5669235

web: www.enerack.com

Add: 203A, NO.6 Huli Avenue, Huli District, Xiamen, China