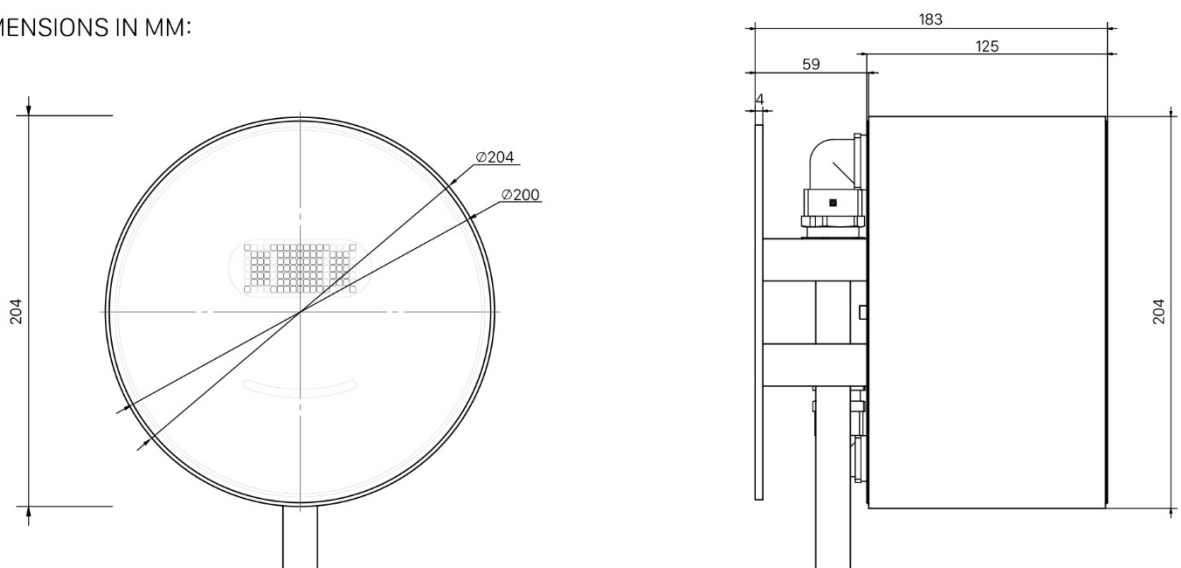


# voltie

HOME CHARGING SOLUTION



DIMENSIONS IN MM:



# TECHNICAL DATASHEET

## ELECTRICAL PROPERTIES

Charging capacity	22 kW
Charge mode	Mode 3 (IEC 61851-1)
Number of connectors	1
Connector options	Fixed cable
Connector type	Type 2 (IEC 62196-2)
Fixed cable length	5 or 7 m
Connection capacity	Selectable 1-phase or 3-phase, 230–400V, 16 A and 32 A, 50-60 Hz
Secondary power circuit	12 VDC
Secondary power circuit	2 x 35 A, 2 P, 12 V coil current
Metering	Internal metering, Optional 3-phase S-Bus MID-certified kWh meter

## SAFETY AND CERTIFICATION

Ground fault detection	6 mA DC CCID
Storage temperature	-35°C to 60°C
Operating temperature	-25°C to +45°C
Operating humidity	Max. 95% non-condensing
Enclosure ratings	IP45, IK10 (IEC 60529)

## CONNECTIVITY & INSTALLATION

Authorization	Autostart / Remote / RFID card
RFID reader	Mifare 13.56 MHz
Status indication / HMI	LED smile and pixel matrix display
WLAN communication	802.11 b/g/n/ac Wifi 2,4 Ghz and 5Ghz
Cellular communication	4G LTE (EU), LTE450
External serial communication	MODBUS interface for MID metering, dynamic load balancing and solar integration
Charging protocol - Hub	OCPP 1.6J

## PHYSICAL PROPERTIES

Housing	Steel, Polycarbonate
Dimensions (WxHxD)	204 x 204 x 183mm
Weight	8 kg
Mounting	Wall or pole
Standard colors	Gray and black, Custom colors on request
Metering	Steel, Polycarbonate

**Note:** VOLTIE charging stations can charge at 32 A; however, actual charging capacity is dependent on local environmental conditions and internal temperature build up.